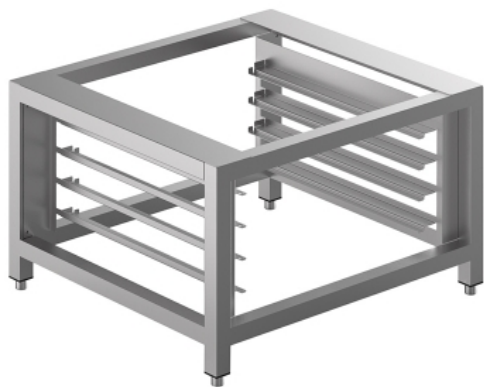


TVL425D



Lowered open frame oven stand in stainless steel for 2 stacked 600 x 400mm tray size ovens

Product Family	Accessories
Type	Ovens
Range	Stands

TECHNICAL SHEET

TECHNICAL DATA

Structure: Stainless steel

Capacity: 4 trays 600 x 400mm or 1/1 GN

Distance between trays: 70mm

Suitable: For two stacked ALFA420, ALFA425 ovens or one ALFA625, ALFA1035 ovens - 4, 6 & 10 trays 600 x 400mm

Outside dimensions (WxDxH): 800 x 800 x 504mm

Weight (net/gross): 39.5 / 41kg

Do you need more information about this product? Contact us and we will reply to you as soon as possible.

[CONTACT US](#)

