

UD505DAUS10



Professional undercounter dishwasher, single-skinned, with HTR rinse system, 500 mm basket

Product Family	Dishwashers
Type	Front-loading dishwashers
Line	ECOLINE

TECHNICAL SHEET

TECHNICAL DATA

Control type: electronic

Basket dimensions: 500x500 mm

Baskets hour: 40 / 24 / 15

No. of programs: 3

Thermo-acoustic insulation: Door

Rinse aid dispenser: Peristaltic pump with electronic adjustment

Detergent dispenser: Peristaltic pump with electronic adjustment

Useable load height: 365 mm

Washing tank capacity: 13 lt.

Boiler capacity: 6 lt.

Power supply / Total power installed: Single phase 10A

Outside dimensions (WxDxH): 578x598x820mm

Rinse system: Atmospheric boiler and rinse pump (HTR system)

Wash system: Wash pump with 'Soft Start' system

Water consumption per cycle: 2,5 lt.

Structure: AISI 304 stainless steel with single-skinned

Drain system: Automatic drain pump with partial water exchange in the wash tank

Filtering system: Integral plastic tank filter with double stage filtration in the sump and additional micro filter for pump protection

Washing and rinse arms: 2 Combined wash and rinse arms with quick release system

ACCESSORIES

[PB50D01](#) - Basket for dishes, max 18 piecesØ 250 mm

[PB50G01](#) - Universal basket with flat bottom

PHOOS02

[WB50D01](#) - Wire basket for 18 dishesØ 250 mm ans self-service trays

[WB50G01](#) - Wide-mesh wire basket with flat bottom

[WB50G02](#) - Wire basket with inclined bottom for stem glasses Ø max 90 mm

[WB50G03](#) - Wire basket with inclined bottom for stem glasses Ø max 72 mm

[WB50G04](#) - Wire basket with inclined bottom for stem glasses Ø max 120 mm

[WB50T02](#) - Wire basket for 7 GN1/1 20mm deep baking rins

WB50T03

EQUIPMENT

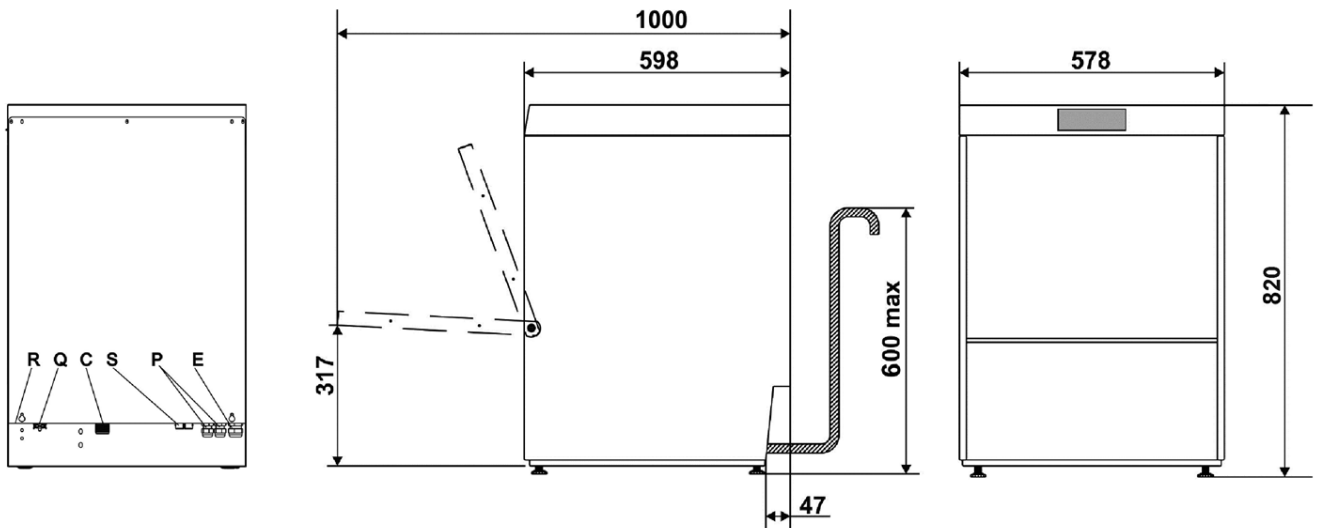
1 [PB50D01](#) - Basket for dishes, max 18 piecesØ 250 mm

1 [PB50G01](#) - Universal basket with flat bottom

1 PHOOS02

Do you need more information about this product? Contact us and we will reply to you as soon as possible.

[CONTACT US](#)



Q	MORSETTO EQUIPOTENZIALE EARTH TERMINAL
E	CAVO ALIMENTAZIONE ELETTRICA ELECTRICITY SUPPLY CABLE
C	TUBO DI CARICO FILLER HOSE
P	TUBI POMPE PERISTALTICHE PERISTALTIC HOSES
T	ENTRATA CAVO DI ALIMENTAZIONE DOSATORE ESTERNO EXTERNAL DISPENSER POWER CABLE ENTRY POINT
S	TUBO DI SCARICO DRAIN HOSE
R	PANNELLO RETRO LOWER BACK PANEL